

4

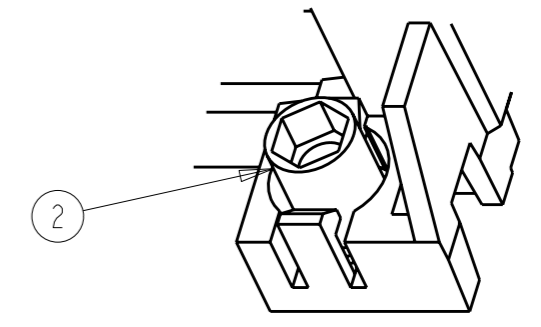
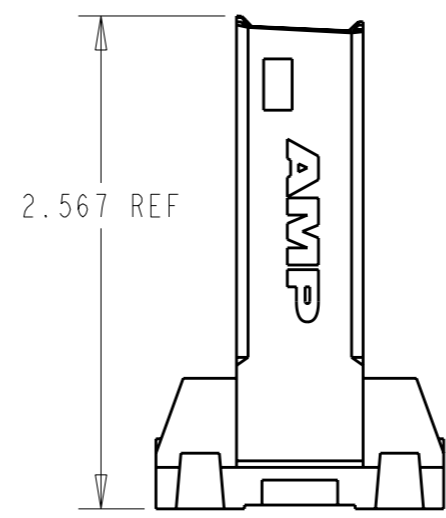
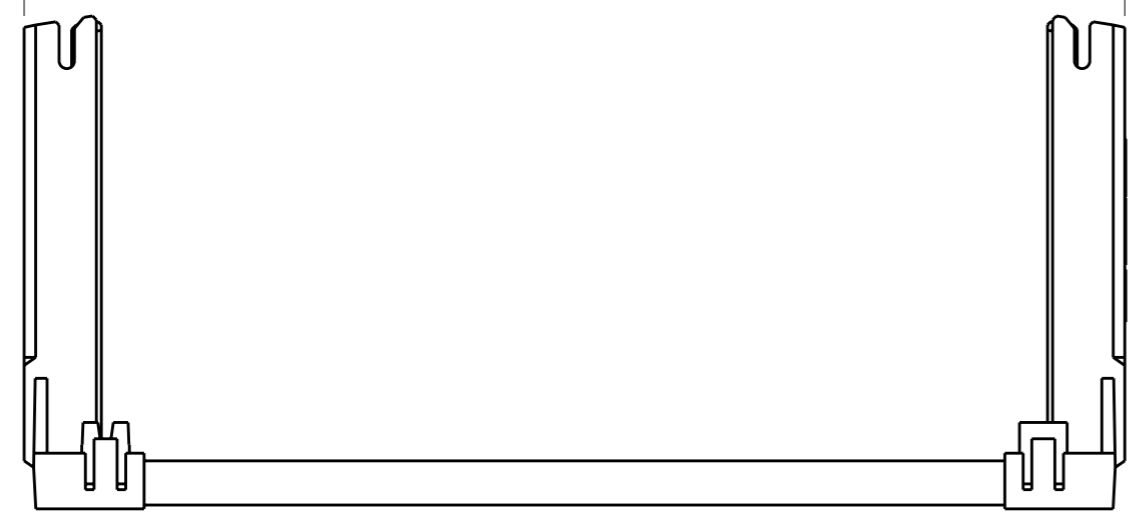
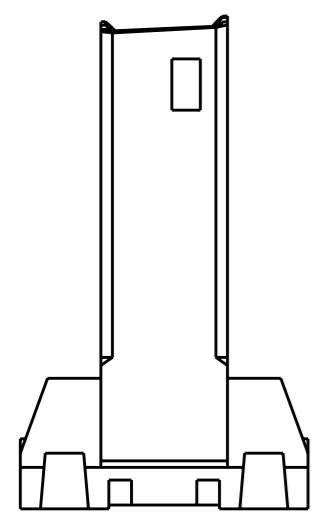
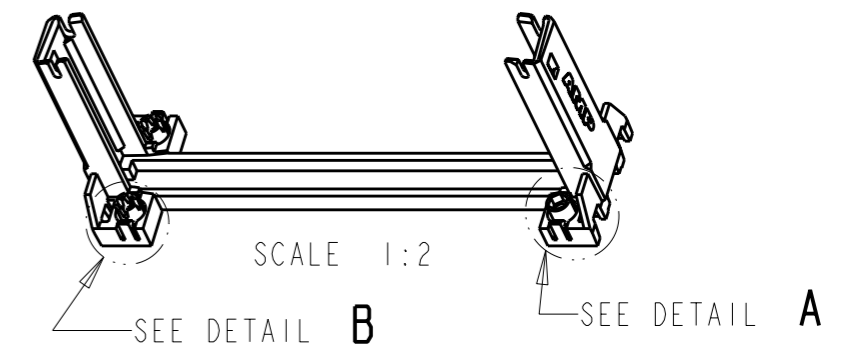
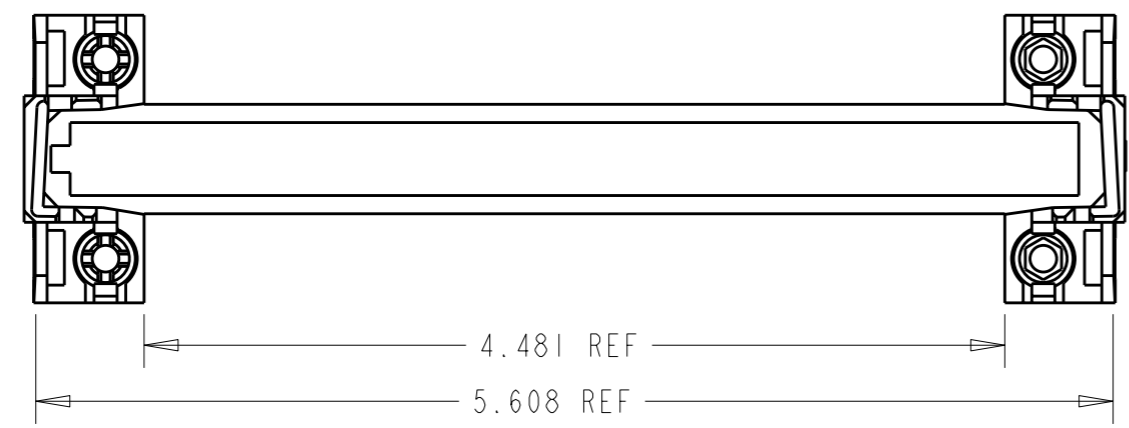
3

2

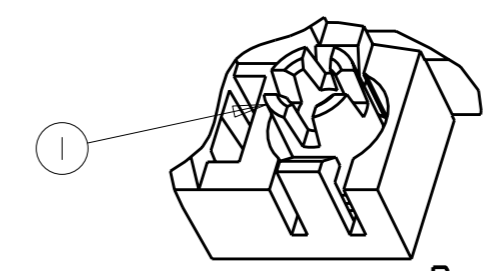
1

THIS DRAWING IS UNPUBLISHED. RELEASED FOR PUBLICATION .19 .  
 © COPYRIGHT 19 BY AMP INCORPORATED. ALL RIGHTS RESERVED.

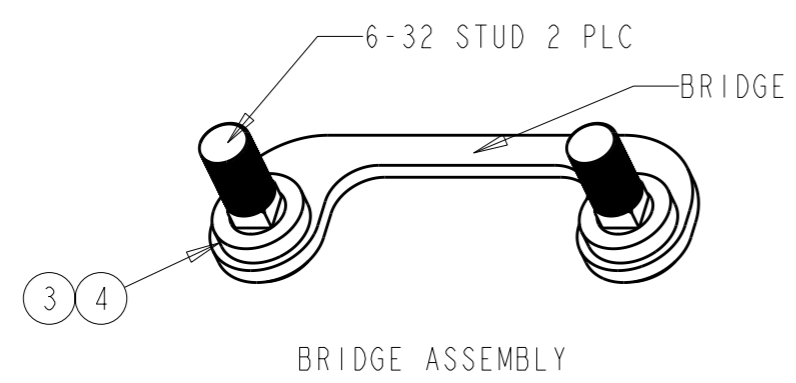
LOC	DIST	REVISIONS				
P	LTR	DESCRIPTION	DATE	DWN	APVD	
AD	12	0	RELEASED	30OCT97	MK I JS	
		01	REVISED PER ECO-09-027197	10DEC09	KK AEG	



DETAIL A  
SCALE 2:1



DETAIL B  
SCALE 2:1



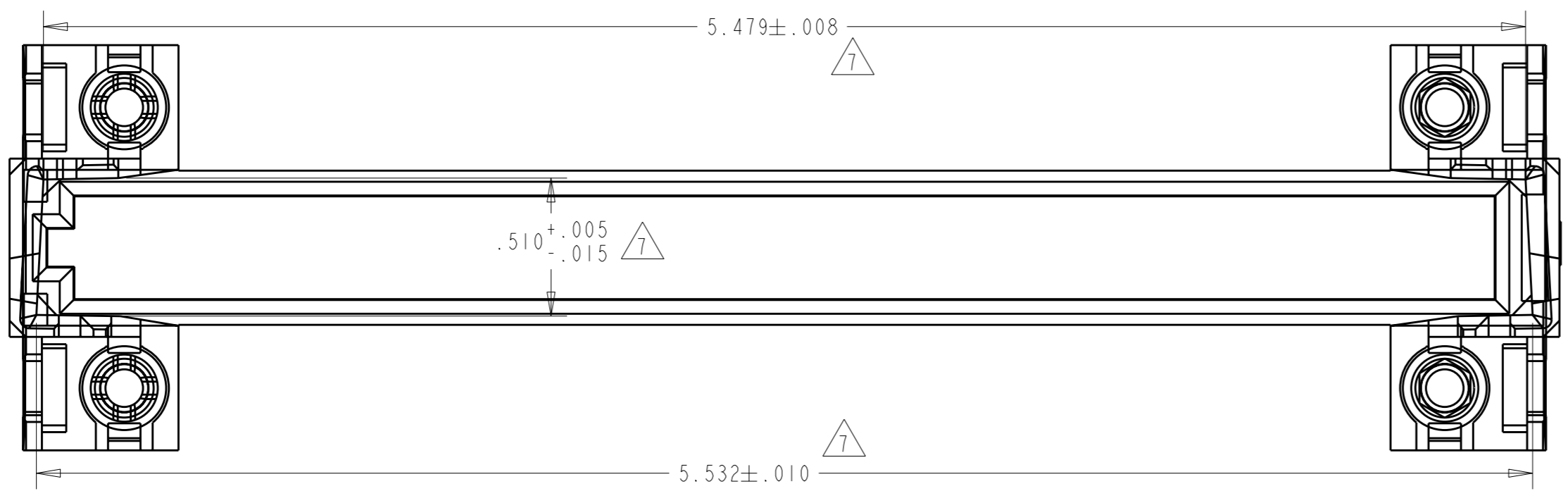
BRIDGE ASSEMBLY

<small>THIS DRAWING IS A CONTROLLED DOCUMENT FOR AMP INCORPORATED. IT IS SUBJECT TO CHANGE AND THE CONTROLLING ENGINEERING ORGANIZATION SHOULD BE CONTACTED FOR THE LATEST REVISION.</small>		DWN E. E. BERKEBILE 19 JUNE 97	<b>AMP</b> AMP Incorporated Harrisburg, PA 17105-3608	
DIMENSIONS: INCHES	TOLERANCES UNLESS OTHERWISE SPECIFIED: 0 PLC ±- 1 PLC ±- 2 PLC ±- 3 PLC ±0.005 4 PLC ±- ANGLES ±-	CHK - APVD - PRODUCT SPEC - APPLICATION SPEC - WEIGHT -	NAME <b>ASSEMBLY RETENTION MODULE WITH CAPTIVE NUTS</b>	
MATERIAL 	FINISH -	SIZE A3 CAGE CODE 00779 DRAWING NO. C-145286	RESTRICTED TO -	
CUSTOMER DRAWING		SCALE 1:1	SHEET 1 OF 2	REV 01

THIS DRAWING IS UNPUBLISHED. RELEASED FOR PUBLICATION .19 .  
 © COPYRIGHT 19 BY AMP INCORPORATED. ALL RIGHTS RESERVED.

LOC	DIST	REVISIONS			
P	LTR	DESCRIPTION	DATE	DWN	APVD
		SEE SHEET 1	-	-	-

- 1 RETENTION MODULE MATERIAL: POLYCARBONATE, COLOR; BLACK
- 2 BRIDGE ASSEMBLIES ARE LOOSE PIECE IN KIT P/N.
- 3. HARDWARE COMPONENT MATERIAL: BRASS-COPPER ALLOY.
- 4. BRIDGE MATERIAL: NYLON, COLOR; BLACK.
- 5. RECOMMENDED TORQUE VALUE: 8 INCH POUNDS.
- 6 AMP ADVANCED PART NUMBER 145286 (REF)
- 7 DIMENSIONS TO BE MEASURED IN RESTRAINED STATE.



SCALE 2:1

8 OBSOLETE PARTS: OBSOLETE CIS STREAMLINING PER D.RENAUD/D.SINISI

8 OBSOLETE	2	145286-2 WITH TWO BRIDGE ASSY'S	145286-4	4
8 OBSOLETE	2	145286-1 WITH TWO BRIDGE ASSY'S	145286-3	3
	1	RM WITH FOUR 3/16 HEX CAPTIVE NUTS	145286-2	2
	1	RM WITH FOUR SLOTTED CAPTIVE NUTS	145286-1	1
NOTES	DESCRIPTION	P/N	ITEM	

<small>THIS DRAWING IS A CONTROLLED DOCUMENT FOR AMP INCORPORATED. IT IS SUBJECT TO CHANGE AND THE CONTROLLING ENGINEERING ORGANIZATION SHOULD BE CONTACTED FOR THE LATEST REVISION.</small>		DWN 19 JUNE 97 E.E. BERKEBILE	<b>AMP</b> AMP Incorporated Harrisburg, PA 17105-3608	
DIMENSIONS: INCHES		TOLERANCES UNLESS OTHERWISE SPECIFIED: 0 PLC ±- 1 PLC ±- 2 PLC ±- 3 PLC ±0.005 4 PLC ±- ANGLES ±-	NAME ASSEMBLY RETENTION MODULE WITH CAPTIVE NUTS	
		MATERIAL - FINISH -	PRODUCT SPEC - APPLICATION SPEC - WEIGHT -	SIZE A3 CAGE CODE 00779 DRAWING NO C-145286 RESTRICTED TO -
CUSTOMER DRAWING			SCALE 1:1	SHEET 2 OF 2 REV 01