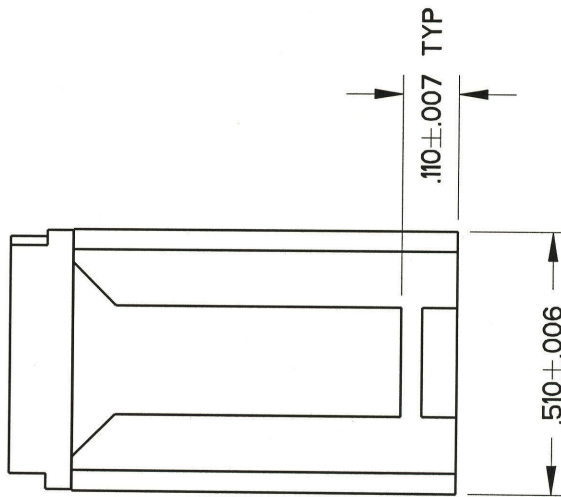
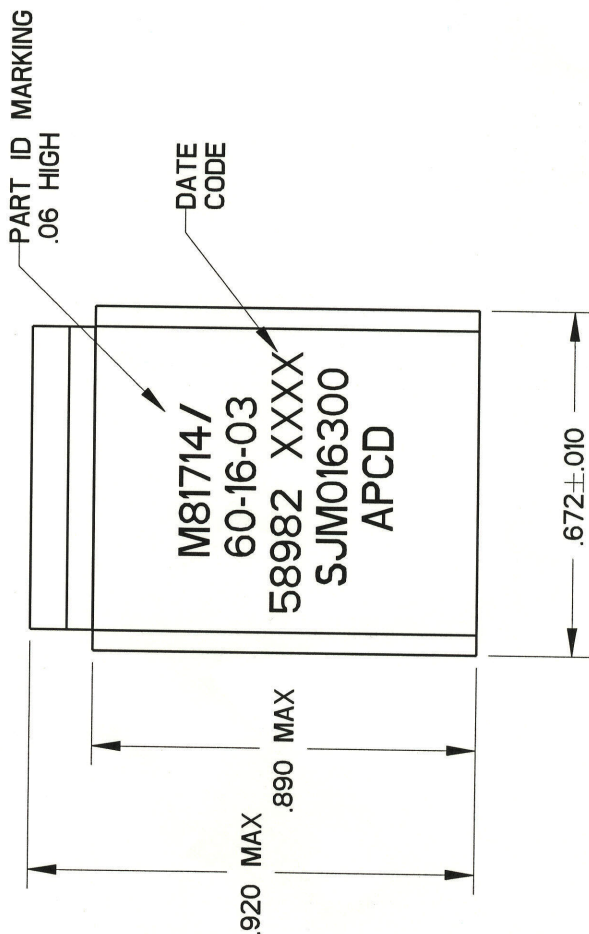
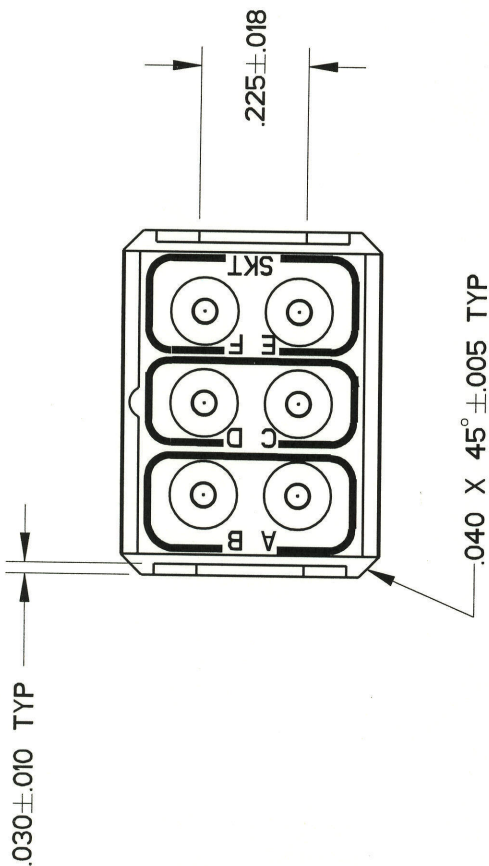
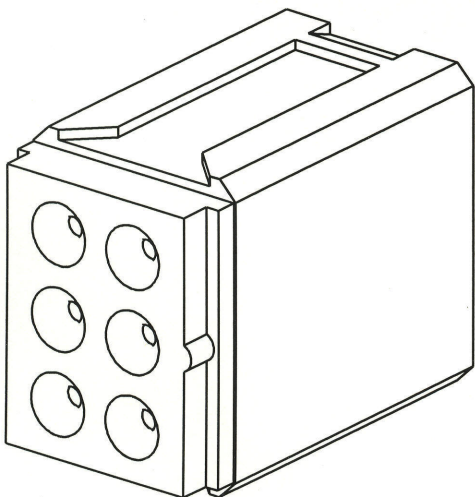


REV	ECN	APP'D
J	5968	<i>JTT 10-4-06</i>



- NOTES:
- PART MEETS ALL REQUIREMENTS OF MIL-T-81714/60
 - MATERIALS:
GROMMET - SILICONE RUBBER PER A-A-59588
BODY - POLYETHERIMIDE PER ASTM-D-5205
INTERNAL CONTACT - BRASS PER ASTM-B16, GOLD PLATED PER SAE-AMS-2422
CONTACT RETAINER CLIPS - STAINLESS STEEL PER ASTM-A666
 - PART ACCEPTS M39029/22-193 SOCKET CONTACTS. SEE TABLE

APCD P/N	SUPPLIED		MARKING	
	SKTS	PLUGS	APCD PART NO.	MIL. NO.
SJM016300	7	2	SJM016300	M81714/60-16-03
SJM016301	-	-		

Amphenol Pcd SPECIFICATION DRAWING DRWN: R. SWAINE 10/2/06 ENGR: <i>[Signature]</i> 10/3/06 APP'D: <i>[Signature]</i> 10-4-06		TITLE SOCKET JUNCTION MODULE SIZE 16, 3-BUS	
DIMENSIONS ANSI Y14.5M UNITS: INCHES Pro/E FILE	TOLERANCES .XX ±0.01 .XXX ±0.005 ANGLES ±2.0°	PROJECTION 	THIS DOCUMENT CONTAINS PROPRIETARY INFORMATION WHICH IS THE CONFIDENTIAL PROPERTY OF AMPHENOL PCD INC., PEABODY, MA
ORIGINAL 	SIZE B DWG NO. SJM016300_C	CODE: 58982 SCALE: 8:3	REV J SHEET 1 OF 1