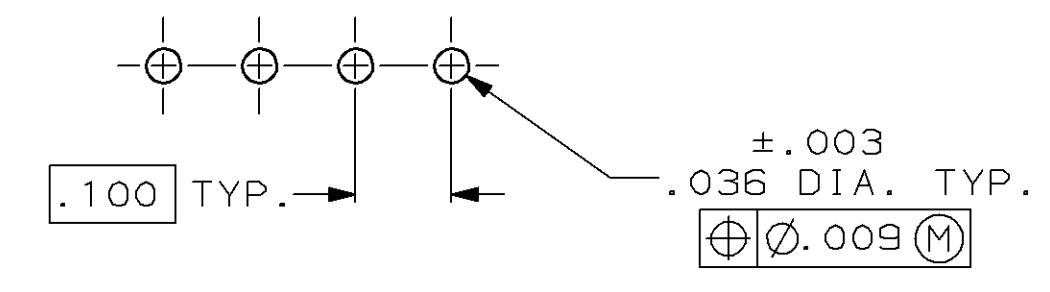
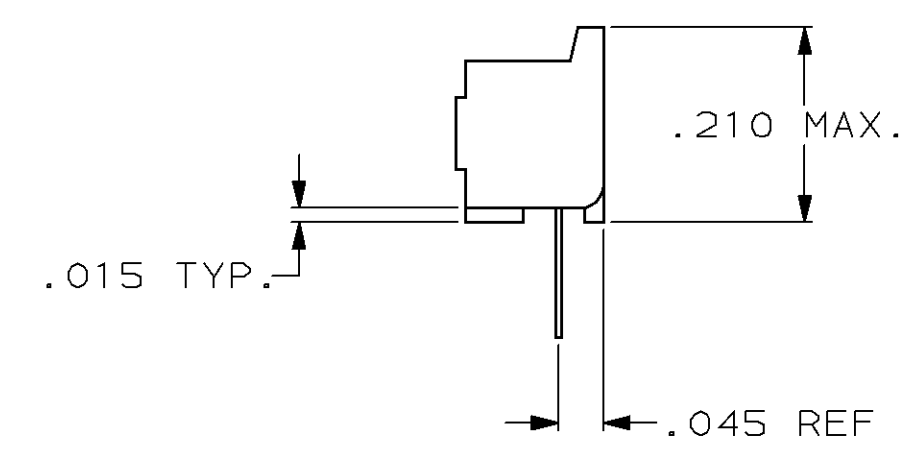
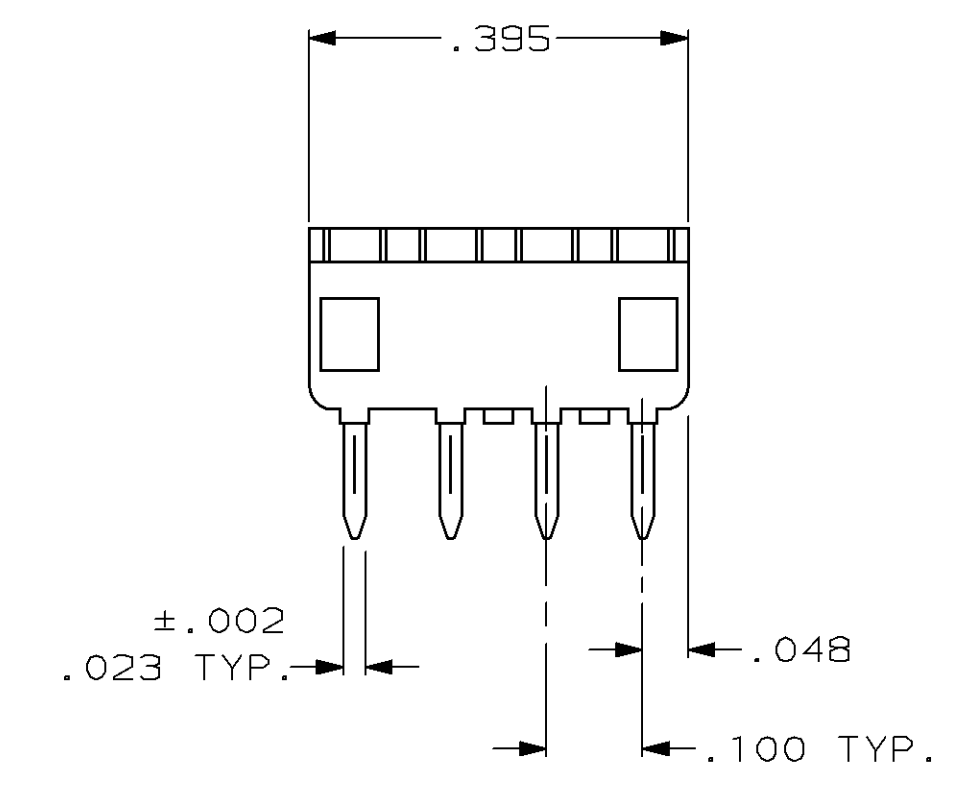
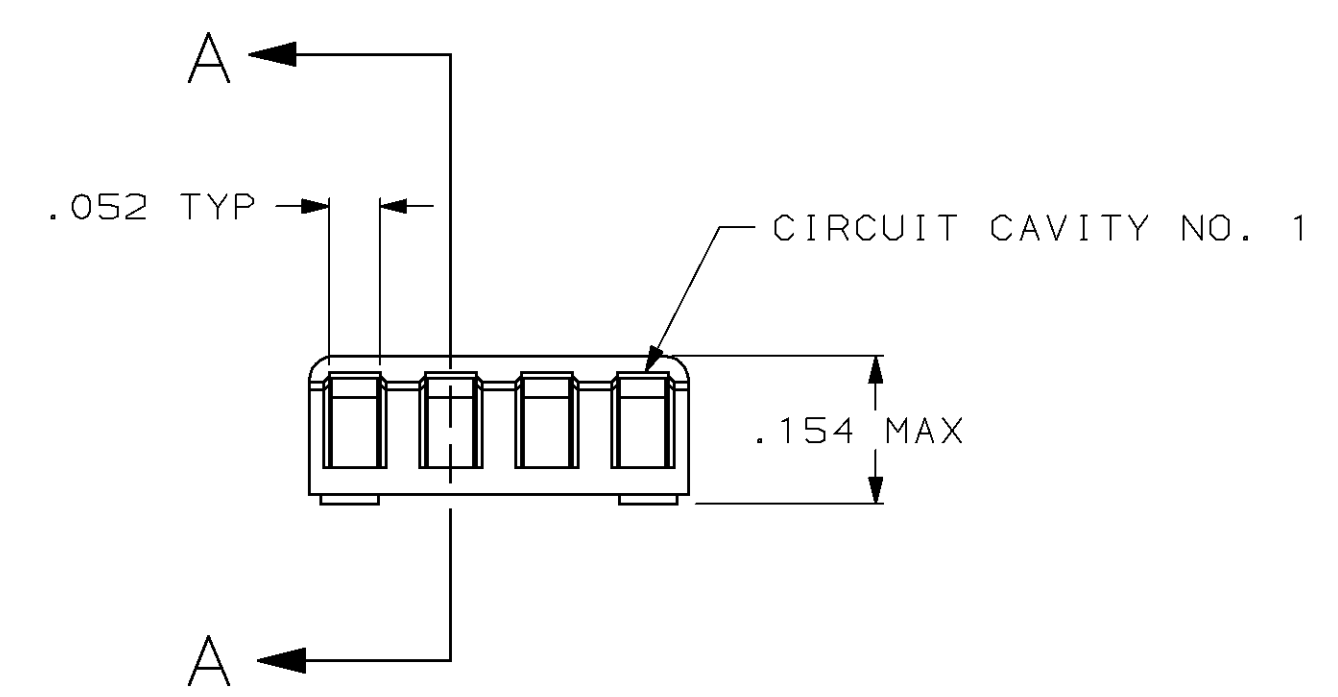
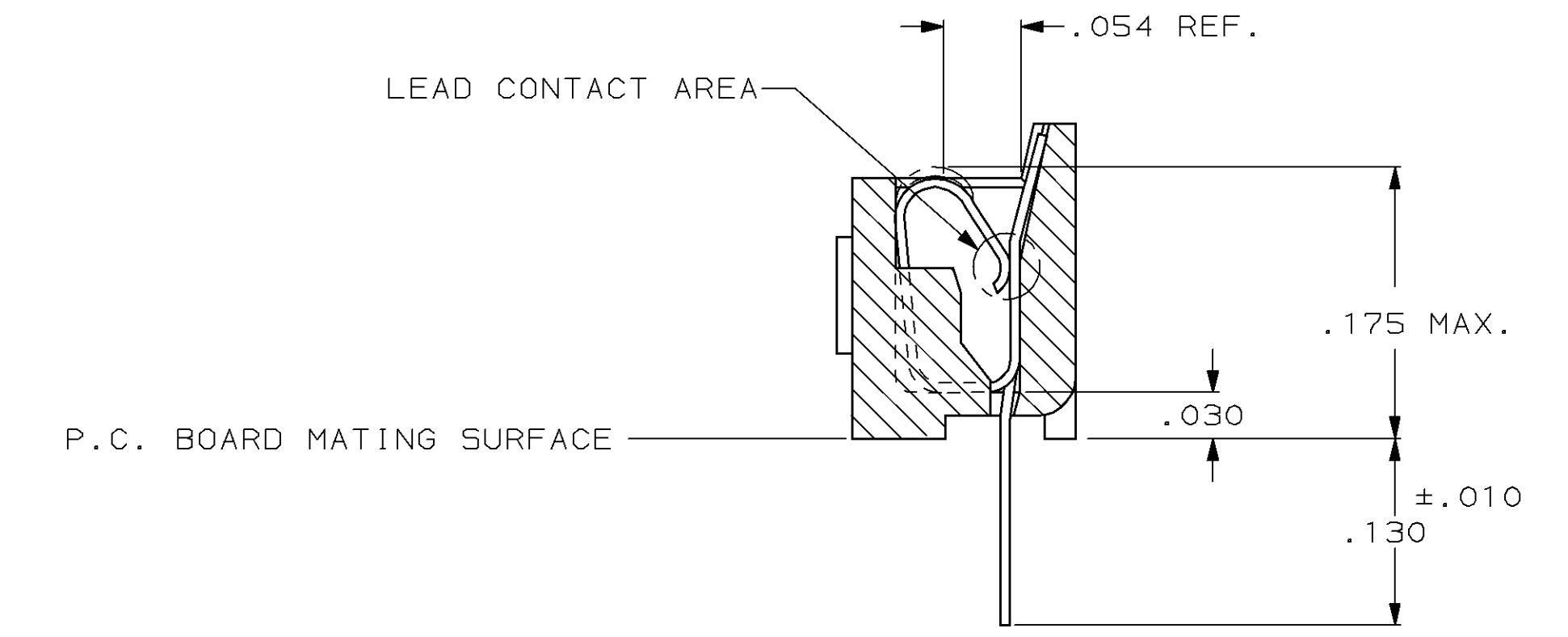


| LOC | DIST | REVISIONS | | | |
|-----|------|------------------------|-----------|-----|------|
| P | LTR | DESCRIPTION | DATE | DWN | APVD |
| FT | 64 | | | | |
| C | | REV PER EC 0320-138-97 | 28 APR 97 | BC | GJ |
| D | | REV PER EC 0330-35-97 | 21 JUL 97 | DH | GJ |



1. RECEPTACLE ACCEPTS AN .008-.014 THK. I.C. LEAD.



| CONTACT FINISH | CONTACT MAT'L | HOUSING MATERIAL | PART NO. |
|----------------|---------------|--|----------|
| TINNED | PHOS.BRZ. | GLASS-FILLED THERMOPLASTIC, 94V-0, BLACK | 382438-3 |
| TINNED | BE.CU. | GLASS-FILLED THERMOPLASTIC, 94V-0, BLACK | 382438-1 |

| | | | | |
|--|-------|------------------|-------------------|--|
| THIS DRAWING IS A CONTROLLED DOCUMENT. | | DWN K. SALMON | 28 APR 97 | AMP AMP Incorporated Harrisburg, PA 17105-3508 |
| DIMENSIONS IN INCHES | | CHK R. MILLER | NAME R. PRIDDY | |
| TOLERANCES UNLESS OTHERWISE SPECIFIED: | | PRODUCT SPEC | | SOCKET ASSY, SIP, 4 POS, DIPLOMATE™ DL |
| 0 PLC | ±- | 108-1066 | | |
| 1 PLC | ±- | APPLICATION SPEC | | SIZE CAGE CODE DRAWING NO RESTRICTED TO |
| 2 PLC | ±- | 114-1049 | | |
| 3 PLC | ±.005 | WEIGHT | | A1 00779 C=382438 |
| 4 PLC | ±- | FINISH | | CUSTOMER DRAWING |
| ANGLES | ±- | SCALE | | 5:1 |
| | | | | SHEET |
| | | | | 1 OF 1 |
| | | | | REV |
| | | | | D |