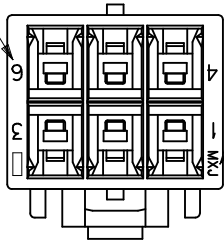
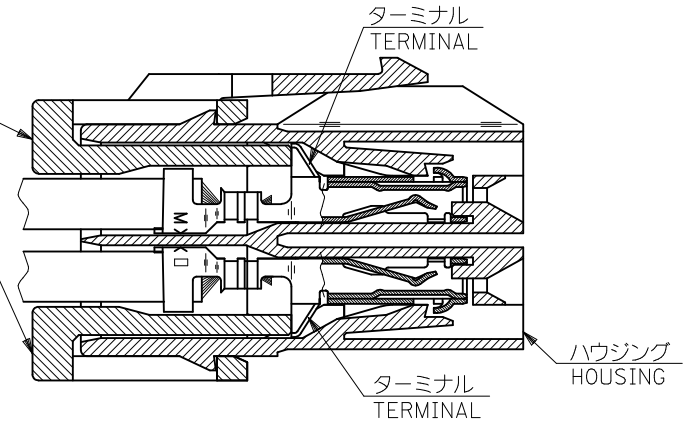


回路番号
CKT.NO.

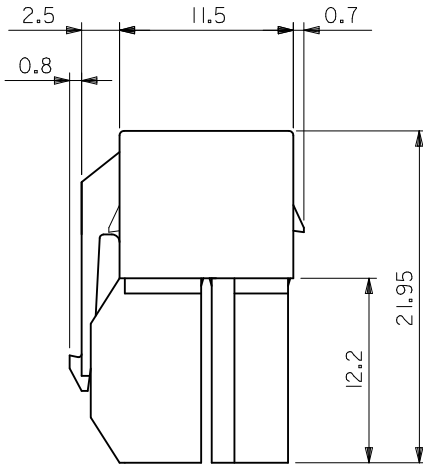
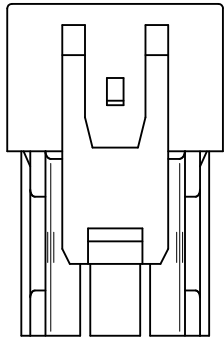
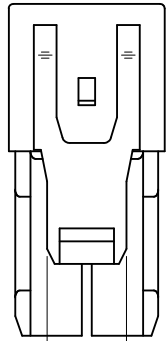


トレードマーク
TRADE MARK

リテーナー
RETAINER



ターミナル及びリテーナー装着状態図
TERMINAL & RETAINER ASSEMBLY DRAWING.

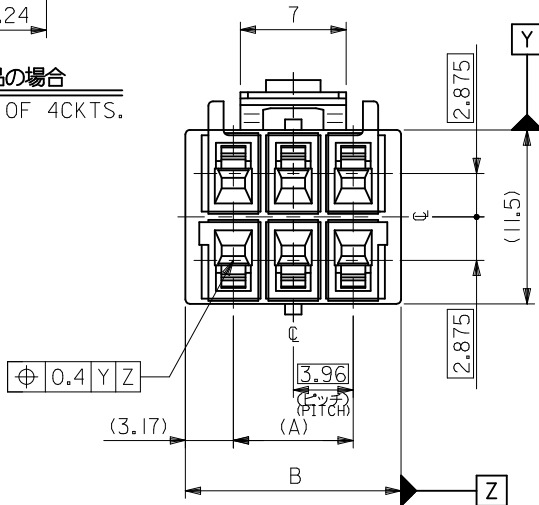


注記 NOTE

- 適合ターミナル : 50597,50598 シリーズ
APPLICABLE TERMINAL : 50597,50598 SERIES.
- 適合リテーナー : 51140 シリーズ
APPLICABLE RETAINER : 51140 SERIES.
- 嵌合相手 : 53720,53727,51139(6極)シリーズ
MATE WITH : 53720,53727,51139(6p) SERIES.

4極品の場合

IN CASE OF 4CKTS.

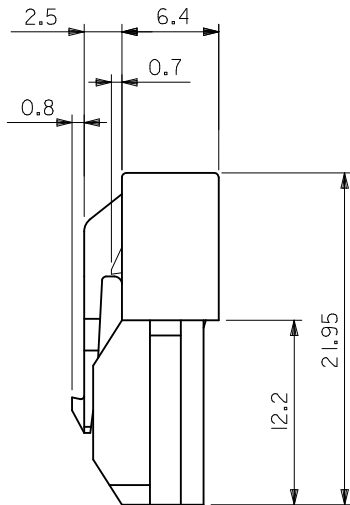
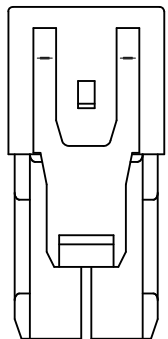
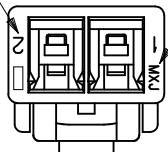


| | | | |
|-------|------|------------|-------------------|
| 14.26 | 7.92 | 51138-0600 | 6 |
| B | A | ENG. NO. | 極数 NO. OF CKT. |

| | | | | | | |
|---|---------------------------------------|--|-----------------------------|---|------------------------------------|------------------------|
| REVISED EC NO: J2011-1755 DRWN:KAWABATA 2011/06/27 CHKD:THARUYAMA 2011/06/27 APPR:HIRATA 2011/06/28 | GENERAL TOLERANCES (UNLESS SPECIFIED) | | DIMENSION STYLE MM ONLY | SCALE --- | DESIGN UNITS METRIC | THIRD ANGLE PROJECTION |
| | 10 UNDER | ±0.2 | DRAWN BY H. HASEGAWA | DATE '95/12/15 | TITLE 3.96 W/W & W/B REC HSG | |
| | 10 OVER 30 UNDER | ±0.25 | CHECKED BY S. KUNISHI | DATE '98/04/14 | MOLEX INCORPORATED | |
| | 30 OVER | ±0.3 | APPROVED BY M. FUKUSHIMA | DATE '98/04/14 | DOCUMENT NO. SD-51138-001 | SHEET NO. 1 OF 2 |
| | ANGULAR ±3 ° | DRAFT WHERE APPLICABLE MUST REMAIN WITHIN DIMENSIONS | SEE TABLE | THIS DRAWING CONTAINS INFORMATION THAT IS PROPRIETARY TO MOLEX INCORPORATED AND SHOULD NOT BE USED WITHOUT WRITTEN PERMISSION | | |

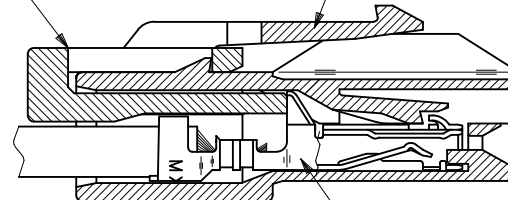
回路番号
CKT.NO.

トレードマーク
TRADE MARK



リテーナー
RETAINER

ハウジング
HOUSING



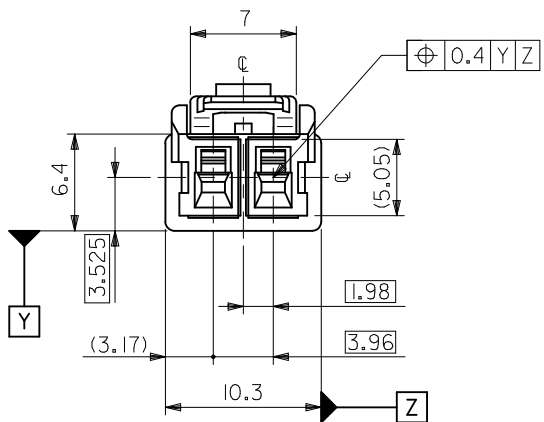
ターミナル
TERMINAL

ターミナル及びリテーナー装着状態図
TERMINAL & RETAINER ASSEMBLY DRAWING.

注記 NOTE

- 適合ターミナル : 50597,50598 シリーズ
APPLICABLE TERMINAL : 50597,50598 SERIES.
- 適合リテーナー : 51140 シリーズ
APPLICABLE RETAINER : 51140 SERIES.
- 嵌合相手 : 51139 シリーズ
MATE WITH : 51139 SERIES.

2極に適用
FOR 2 CKTS.



| | |
|------------|-------------------|
| 51138-0200 | 2 |
| ENG. NO. | 極数 NO. OF CKT. |

| | | | | | |
|---|--|---|-------------------|--|------------------------------|
| REVISED EC NO: J2011-1755 DRWN:KAWABATA 2011/06/27 CHKD:THARUYAMA 2011/06/27 APPR:HIRATA 2011/06/28 | GENERAL TOLERANCES (UNLESS SPECIFIED) | DIMENSION STYLE MM ONLY | SCALE --- | DESIGN UNITS METRIC | THIRD ANGLE PROJECTION |
| | 10 UNDER ±0.2 | DRAWN BY T.ASAKAWA | DATE '97/03/27 | TITLE 3.96 W/W & W/B REC HSG SHEET 2 OF 2 | |
| | 10 OVER 30 UNDER ±0.25 | CHECKED BY S.KUNISHI | DATE '97/03/27 | MOLEX INCORPORATED | |
| | 30 OVER ±0.3 | APPROVED BY M.FUKUSHIMA | DATE '97/03/27 | MATERIAL NO. SEE TABLE | DOCUMENT NO. SD-51138-001 |
| | ANGULAR ±3 ° | THIS DRAWING CONTAINS INFORMATION THAT IS PROPRIETARY TO MOLEX INCORPORATED AND SHOULD NOT BE USED WITHOUT WRITTEN PERMISSION | | | |
| | DRAFT WHERE APPLICABLE MUST REMAIN WITHIN DIMENSIONS | | | | |